

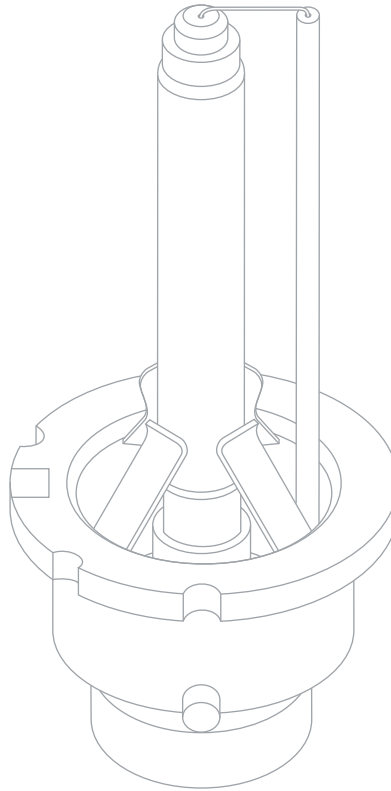


THE AUTOMOTIVE LIGHTING BENCHMARK

D2S  
PART #:  
49563  
49568  
49589  
49570

D2R  
PART #:  
49498  
49499  
49500

D4S  
PART #:  
49471  
49472  
49473



INSTALLATION GUIDE

## D-SERIES BULBS



**WARNING:** By reading this document, I agree it is only to be used as an educational guide. Morimoto Lighting makes no guarantee on any finished results, nor are they to be held responsible for any damage, misuse, or personal injuries. Use at your own risk. If you are unable to clearly understand and adapt the information below to your own application, professional installation is recommended.

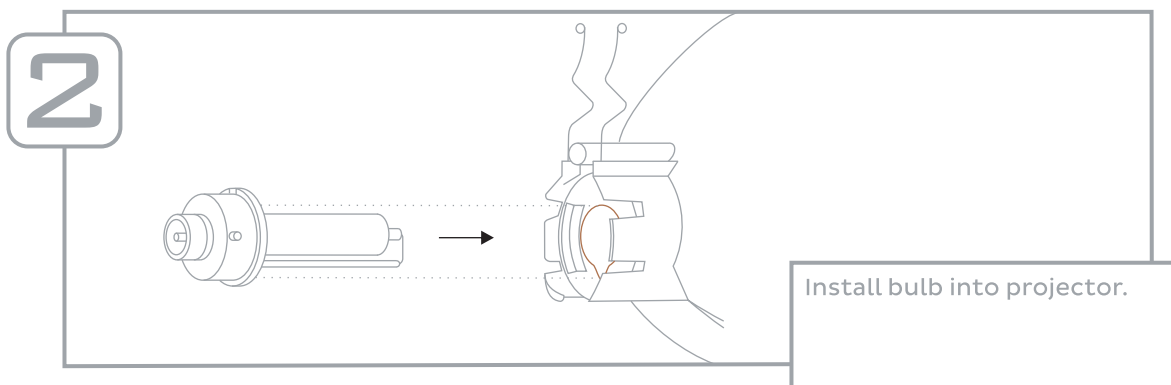
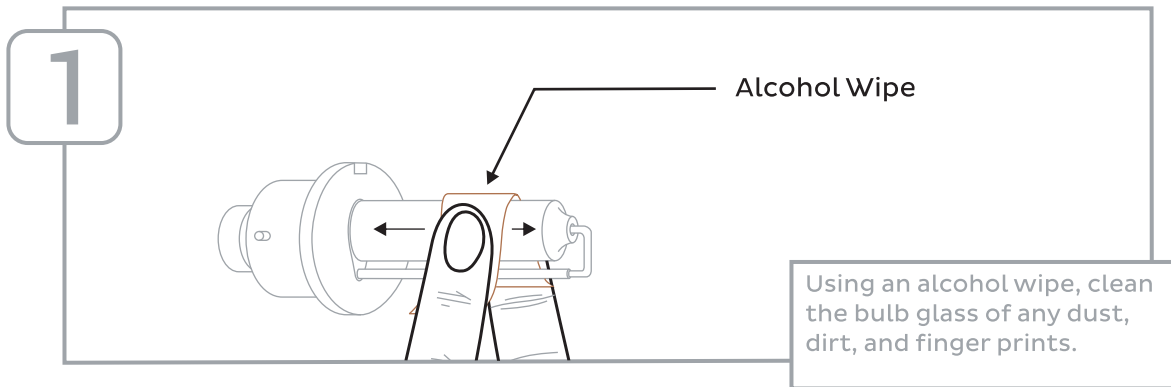


CAUTION: HOT!

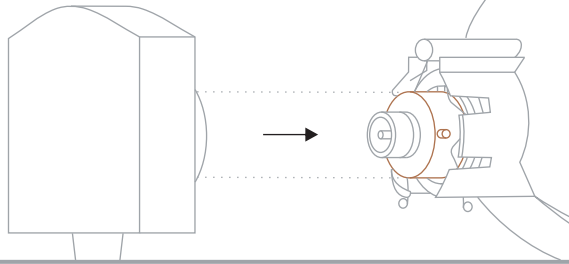


HANDLE ONLY WITH  
BLACK PLASTIC BASE

## STEP BY STEP

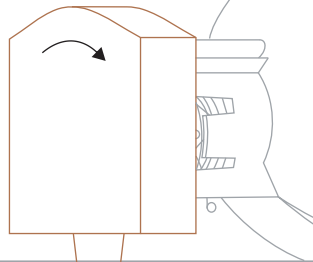


3



Line up slots in igniter with the tabs on the D2S bulb and slide the igniter on to the bulb.

4



With the igniter pressed fully on to the bulb, turn the igniter clockwise and lock the igniter on to the bulb. You will feel a "click" upon doing this.

-END-