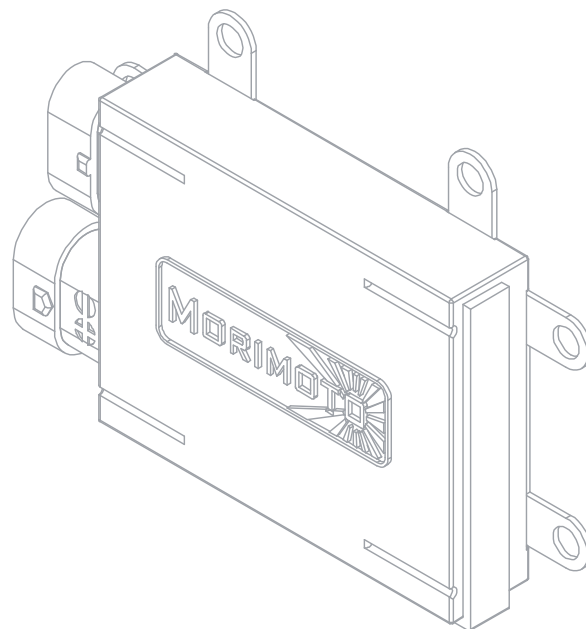




THE AUTOMOTIVE LIGHTING BENCHMARK



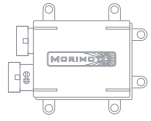
INSTALLATION GUIDE

XB BALLAST (D1/D3)



WARNING: By reading this document, I agree it is only to be used as an educational guide. Morimoto Lighting makes no guarantee on any finished results, nor are they to be held responsible for any damage, misuse, or personal injuries. Use at your own risk. If you are unable to clearly understand and adapt the information below to your own application, professional installation is recommended.

STANDARD PARTS

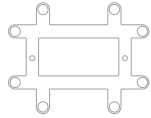


2X XB BALLAST COMPUTER



2X D1/D3 OUTPUT CABLES

OPTIONAL PARTS

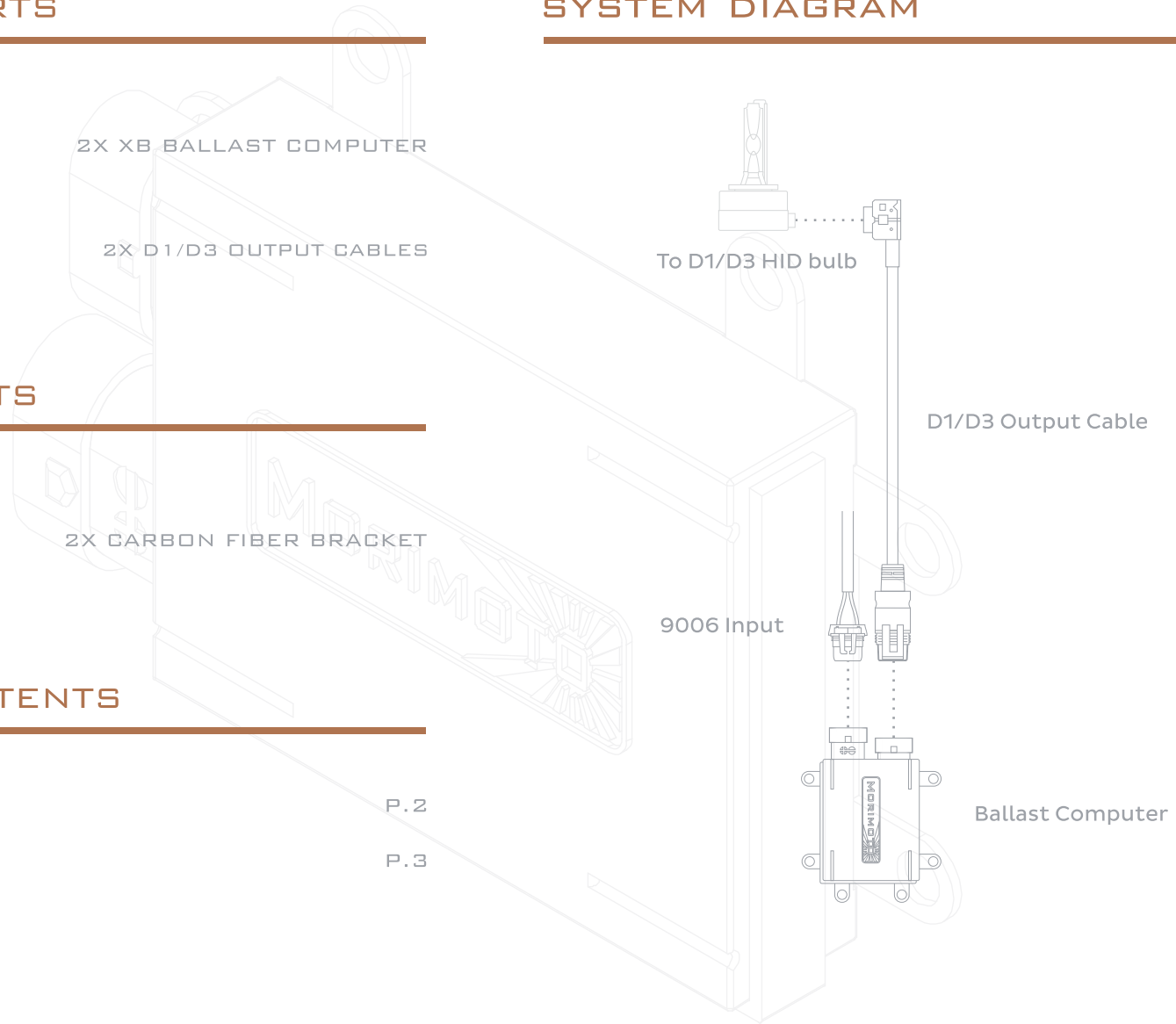


2X CARBON FIBER BRACKET

TABLE OF CONTENTS

SYSTEM DIAGRAM	P. 2
BALLAST ASSEMBLY	P. 3

SYSTEM DIAGRAM





DO NOT IGNITE UNTIL FULLY CONNECTED!



DO NOT CUT!

STEP BY STEP

