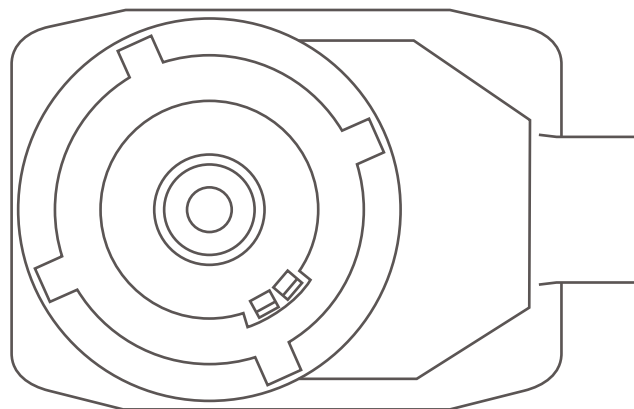




THE AUTOMOTIVE LIGHTING BENCHMARK



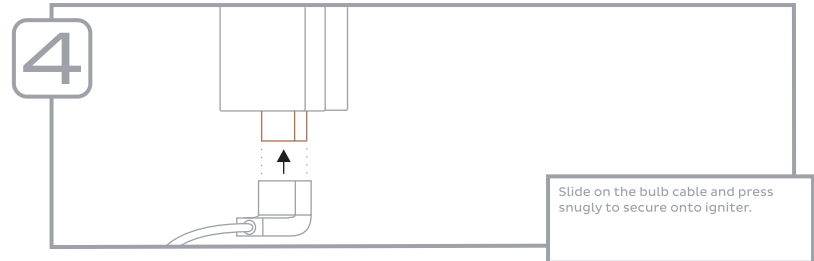
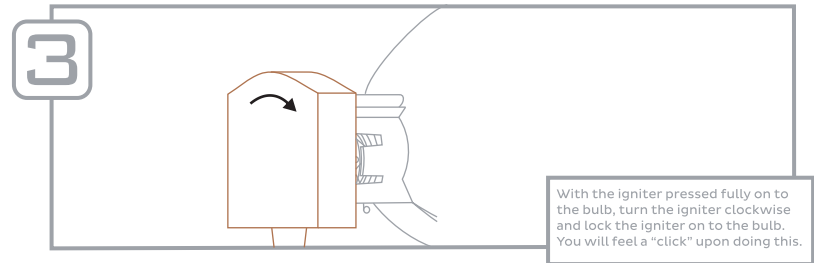
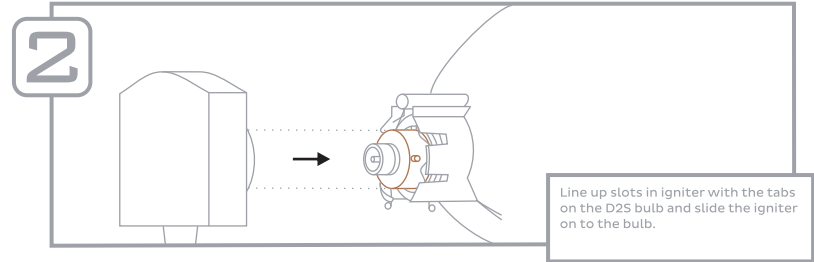
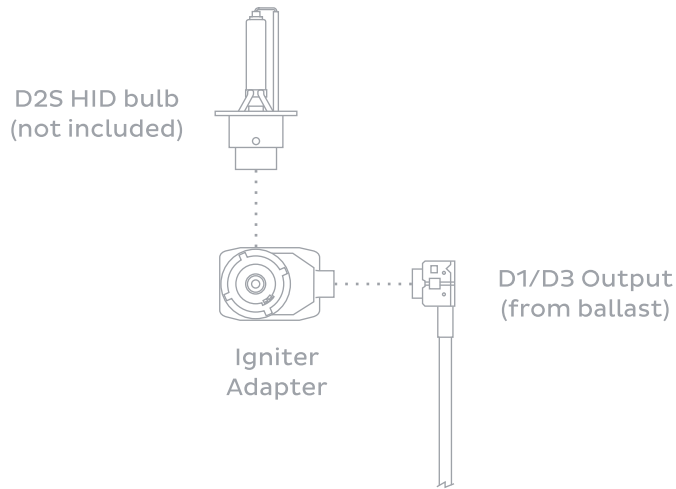
INSTALLATION GUIDE

D1S TO D2S IGNITER



WARNING: By reading this document, I agree it is only to be used as an educational guide. Morimoto Lighting makes no guarantee on any finished results, nor are they to be held responsible for any damage, misuse, or personal injuries. Use at your own risk. If you are unable to clearly understand and adapt the information below to your own application, professional installation is recommended.

SYSTEM DIAGRAM



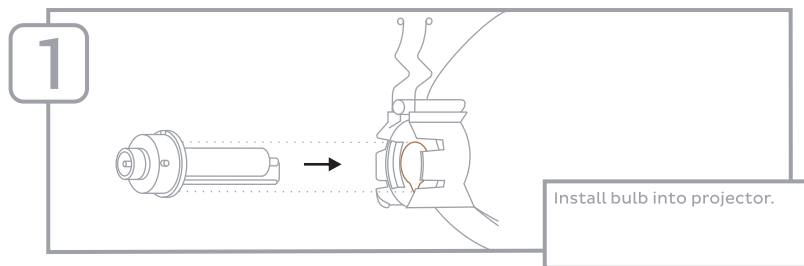
ASSEMBLY



Do not ignite until fully connected!



Do not cut!



-END-