



THE AUTOMOTIVE LIGHTING BENCHMARK

2005-2013 CORVETTE XB LED TAIL LIGHTS INSTALL GUIDE

WARNING: By reading this document, you agree it is only to be used as an educational guide. Morimoto Lighting nor its dealers make guarantees on any finished results, nor are they to be held responsible for any damage, misuse, or personal injuries. If you are unable to clearly understand and adapt the information below, professional installation is recommended.



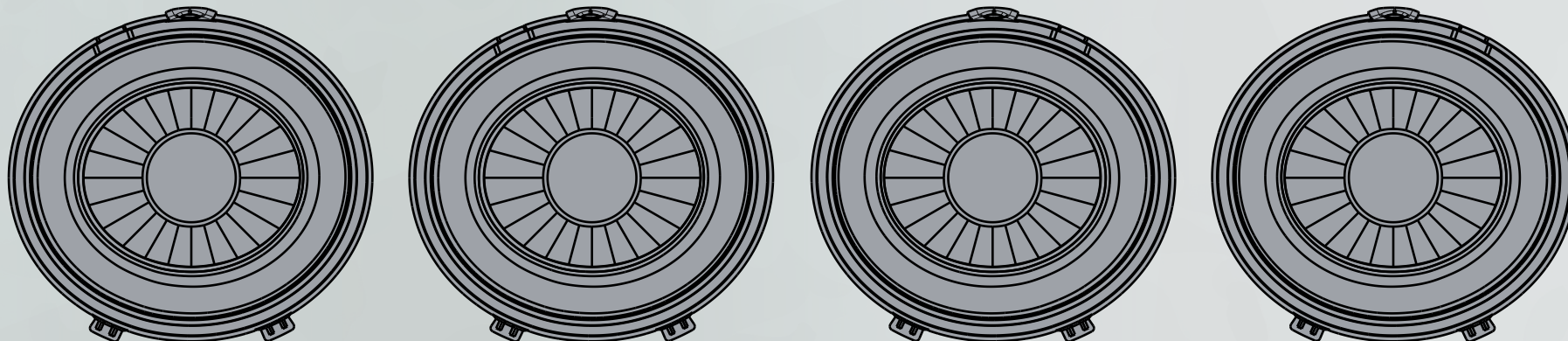


IMPORTANT: If your vehicle is equipped with anything but OEM turn signals (full assemblies, LED bulbs, or otherwise) in the headlights or elsewhere: You may experience a hyper flash and/or problem with the sequential signal setting on these tail lights. This is not a defect in the tail lights, and caused by un-matched impedance with your original vehicle settings.

PARTS IDENTIFICATION

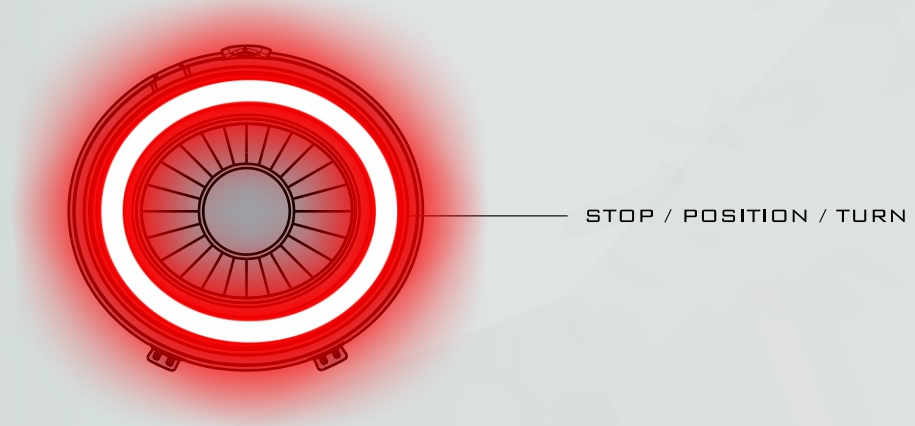
STANDARD PARTS

4x TAIL LIGHT HOUSINGS



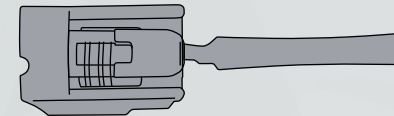
WIRING CONFIGURATION AND INSTALLATION

With all four tail lights connected to the factory wiring, test the function of the lights.

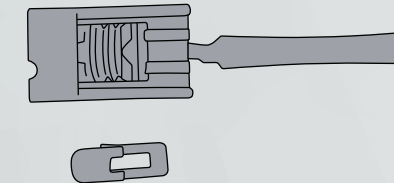


The factory connectors get brittle over time and may break upon disconnection or connection of the new tail lights. Do not be alarmed!

CONNECTOR
IN TACT



CONNECTOR
BROKEN



The break-down of the factory connectors will cause a poor connection. In the case of a poor connection, use an external device to fix the connection (such as a cable tie as pictured at right).

