



THE AUTOMOTIVE LIGHTING BENCHMARK

2014-2020 TUNDRA XB LED HEADLIGHTS INSTALL GUIDE

WARNING: By reading this document, you agree it is only to be used as an educational guide. Morimoto Lighting nor its dealers make guarantees on any finished results, nor are they to be held responsible for any damage, misuse, or personal injuries. If you are unable to clearly understand and adapt the information below, professional installation is recommended.

PACKAGE CONTENTS



2X HEADLIGHT ASSEMBLIES



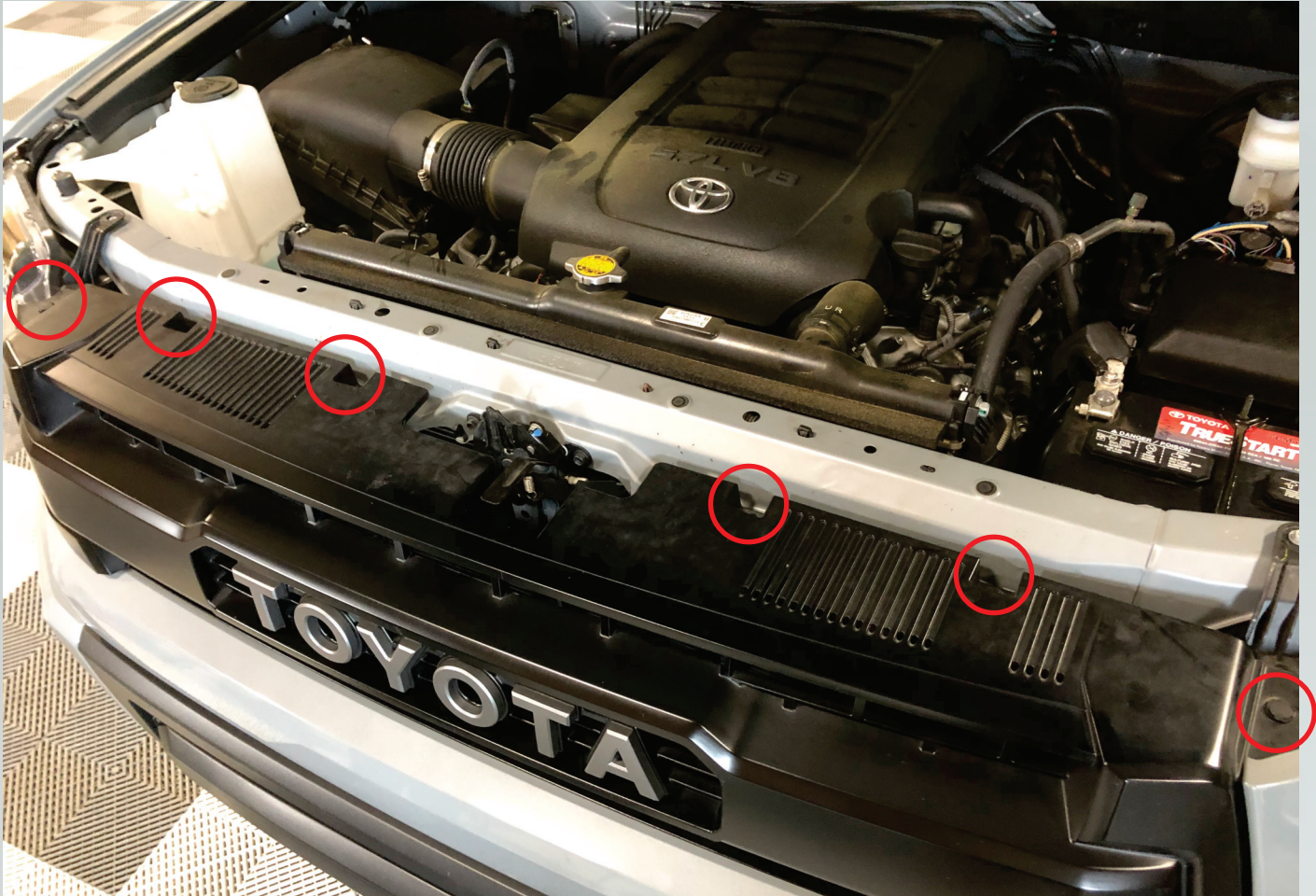
1X FUSE TAP / DRL HARNESS

IMPORTANT: If your vehicle is equipped with anything but OEM turn signals (full assemblies, LED bulbs, or otherwise) in the tail lights or elsewhere: You may experience a hyper flash and/or problem with the sequential signal setting on these headlights. This is not a defect in the headlight, and caused by un-matched impedance with your original vehicle settings.

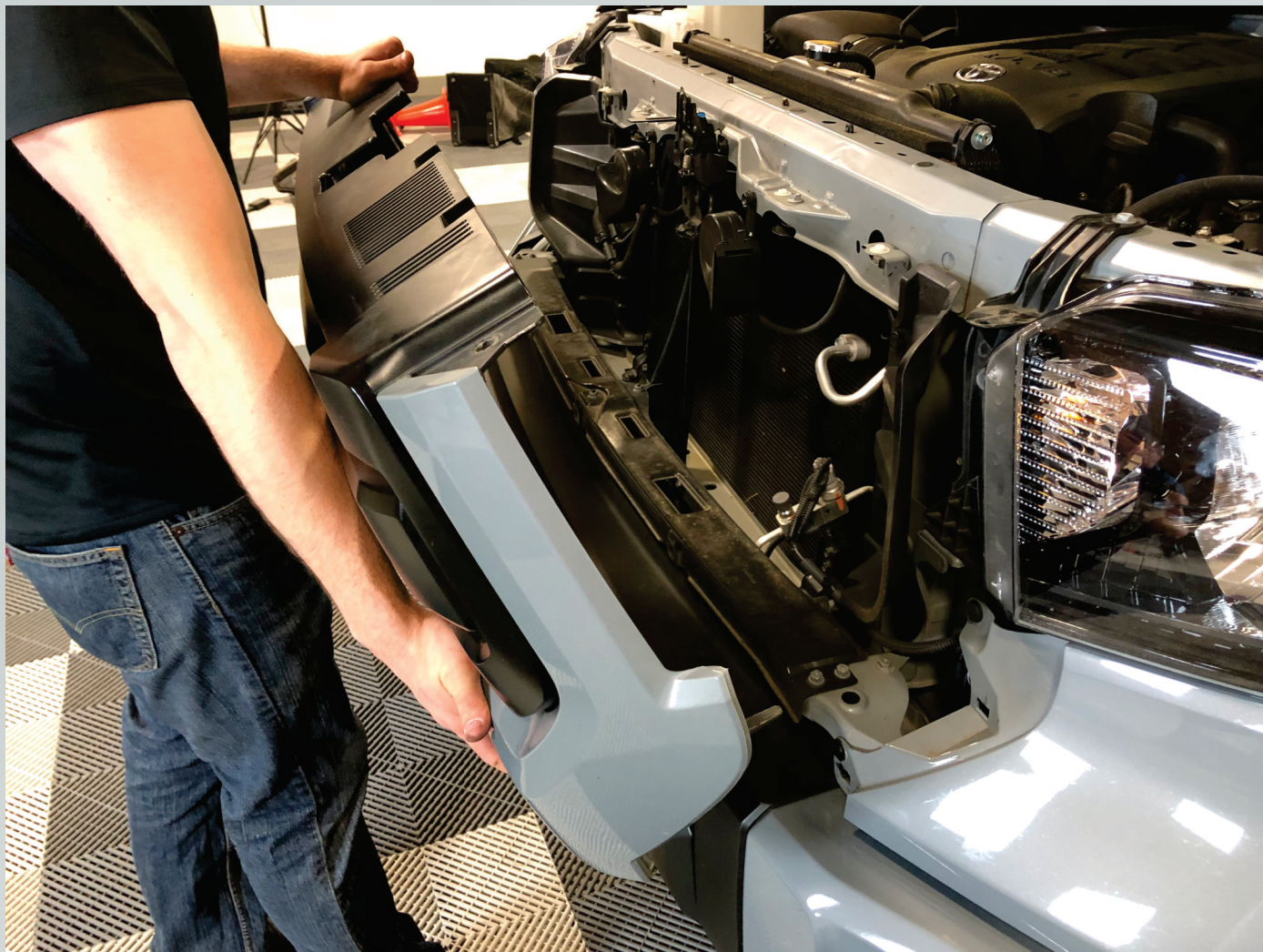
NOTE: If your truck's DRL (Daytime Running Light) is on the turn signal (amber light), we recommend that you replace your factory relay with one that does not have a DRL (Toyota PN 81980-0C020). It is replaced using the process covered on page 8 of this guide.

INSTALLATION PROCESS

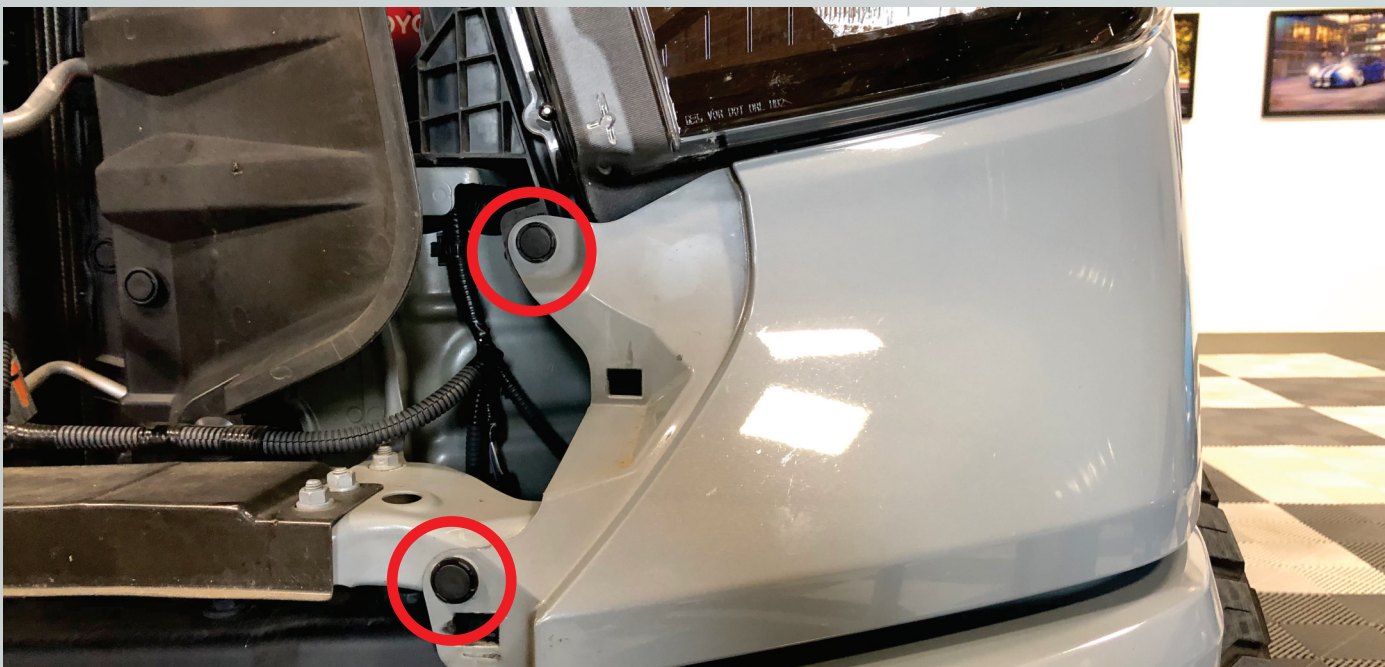
1. Unbolt the grille by backing out the four (4) 10mm bolts and two (2) push-clips along the top.



2. Remove the grille by pulling out the top and then pull back on the entire grille. There are several clips along the bottom.



3. Remove the two push clips from each lower trim panel, remove panel by pulling forward.



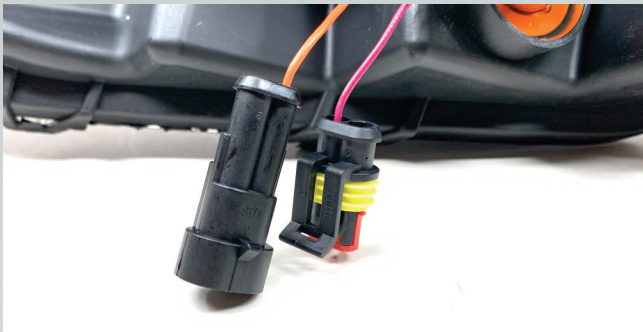
4. Unbolt the headlight by removing the three (3) 10mm bolts from each headlight. Lift the tabs on the top, as they have alignment teeth holding the headlight on to the truck.





7. Connect each headlight to the factory wiring as indicated below:

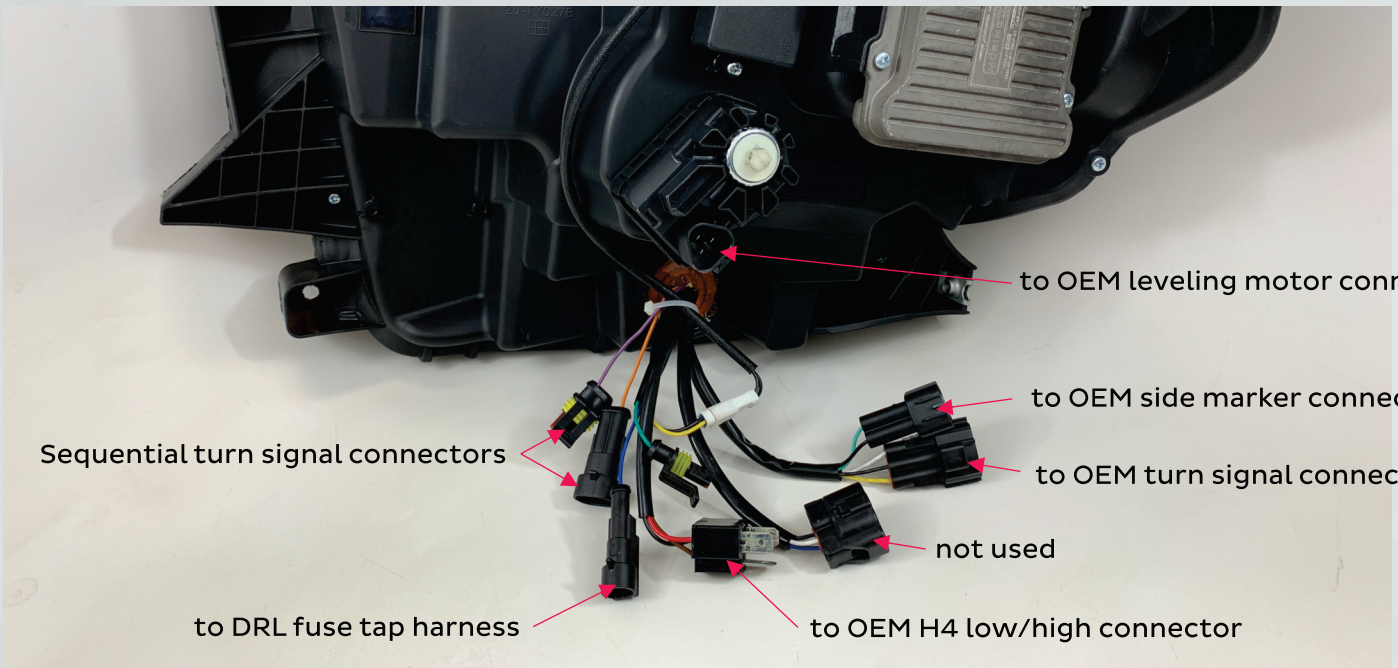
SEQUENTIAL TURN SIGNAL TOGGLE



MODE A:
TWO CONNECTORS UNPLUGGED:
SEQUENTIAL TURN SIGNAL OPERATION

MODE B:
TWO CONNECTORS CLICKED TOGETHER:
STANDARD (BLINKING) TURN SIGNAL OPERATION

Trucks w/o OEM LED DRL



Sequential turn signal connectors

to OEM leveling motor connection

to OEM side marker connector

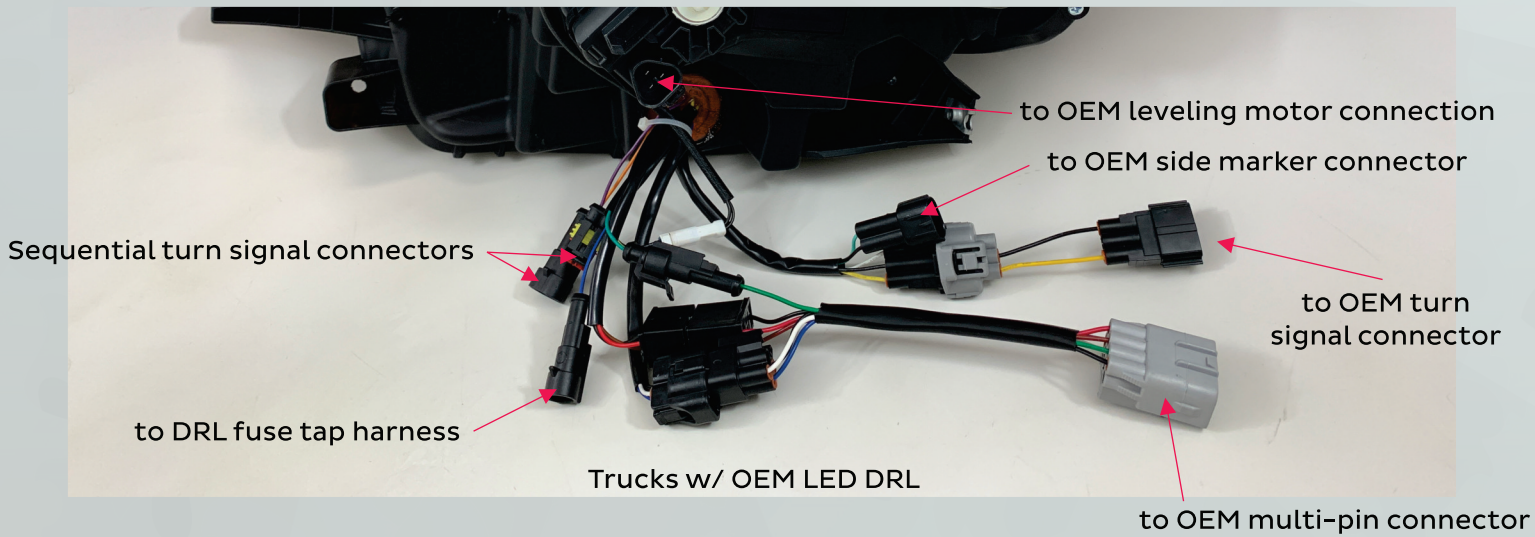
to OEM turn signal connector

not used

to DRL fuse tap harness

to OEM H4 low/high connector

Trucks w/ OEM LED DRL

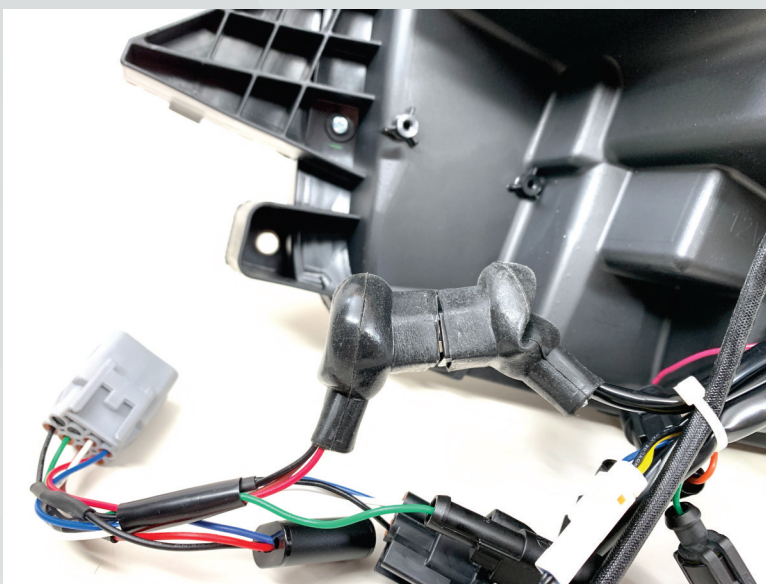


2018+ Trucks w/ Full OEM LED Headlights

Require 2x OEM LED Adapter Harness
SKU: LF532H
MSRP: \$50 / pc.

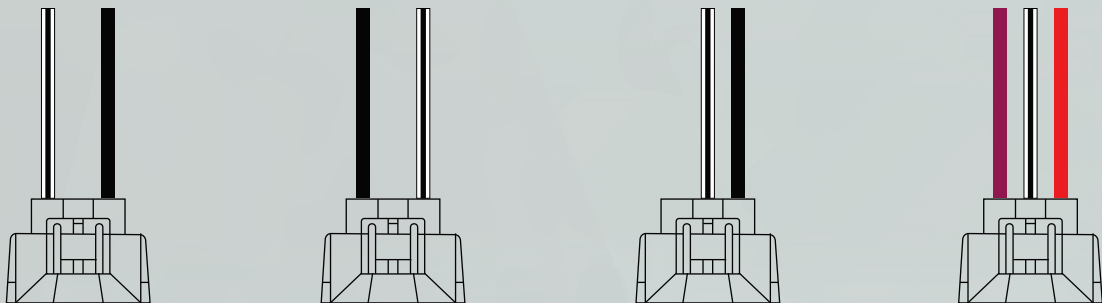


Connect OEM LED adapter harnesses to XB LED wiring as shown



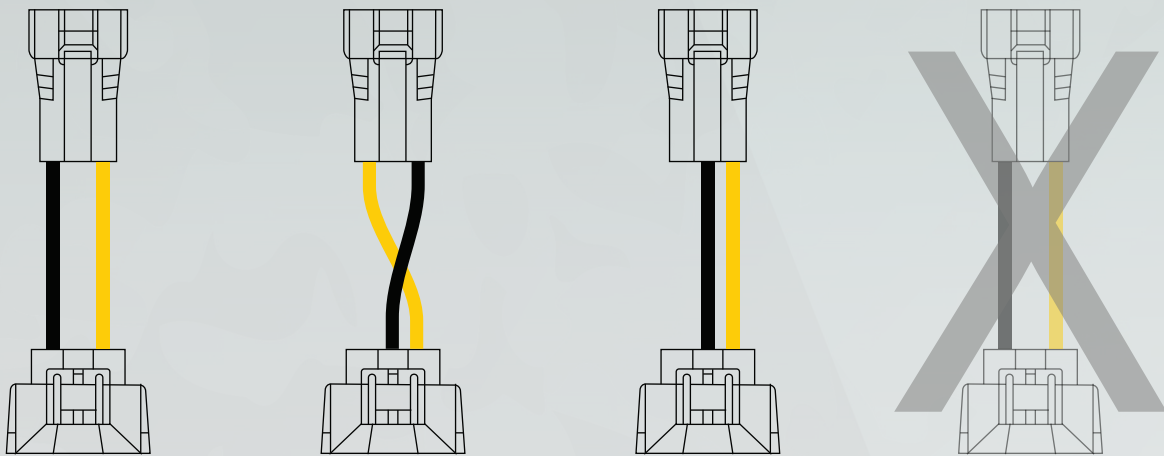
Turn Signal Adapter Wiring

2014-2021 Toyota Tundras have four (4) different turn signal wire schematics. With the included Morimoto turn signal adapters, match your vehicle-side connection. If your truck has the fourth version below, the adapter harnesses are not used.



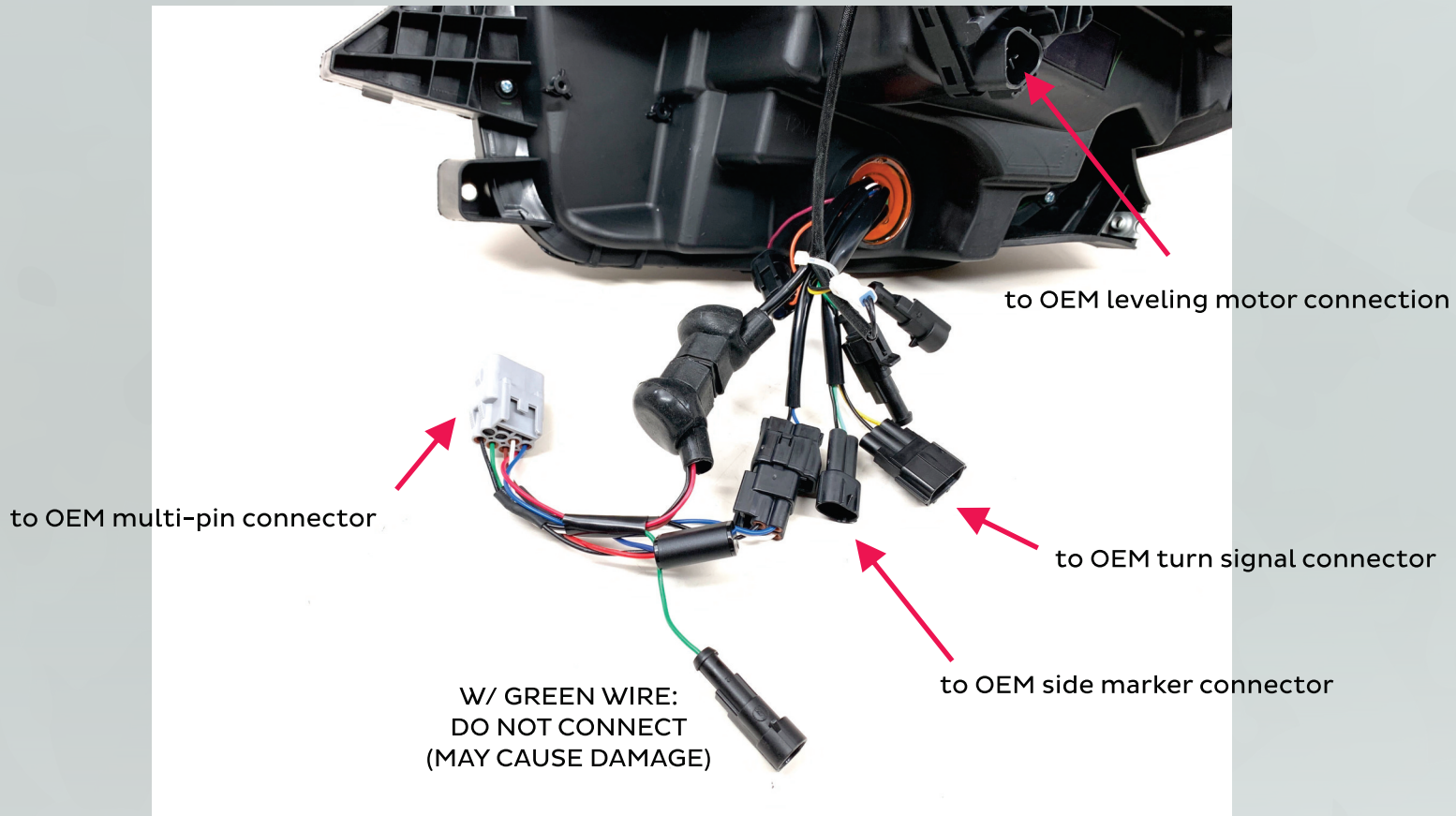
VEHICLE SIDE CONNECTOR

MORIMOTO TURN SIGNAL ADAPTER

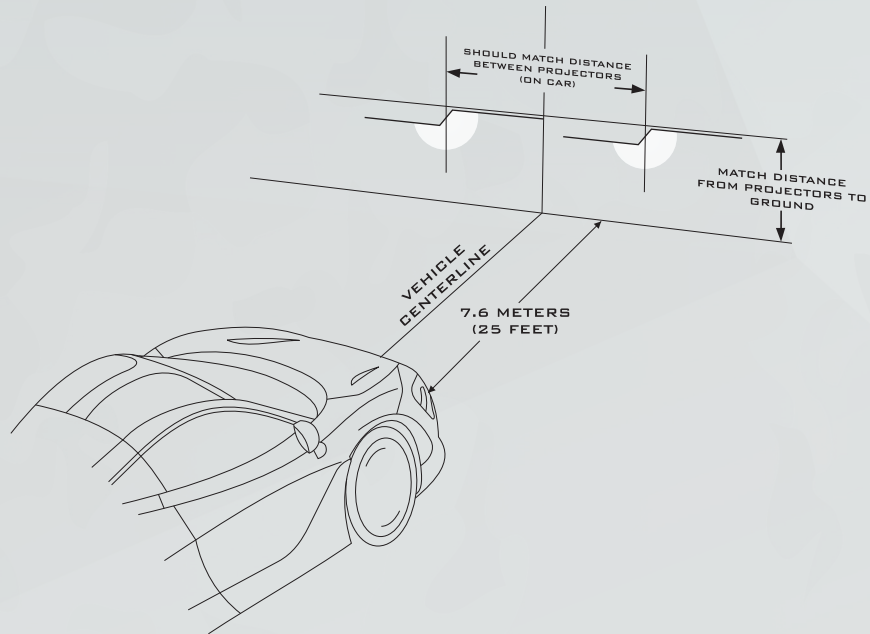


PIN CONFIGURATION MUST BE MATCHED

NOT USED

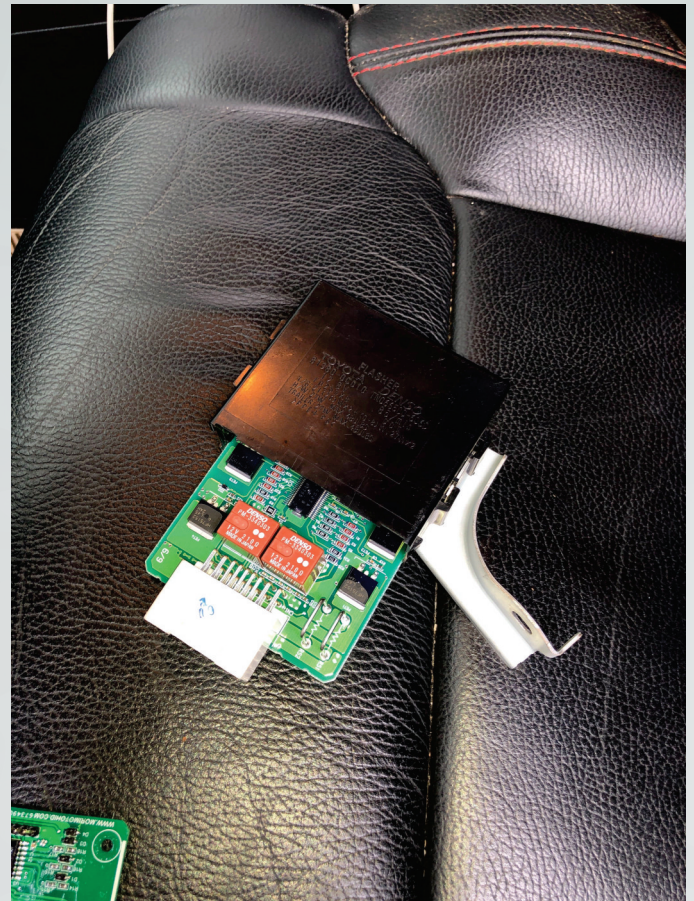
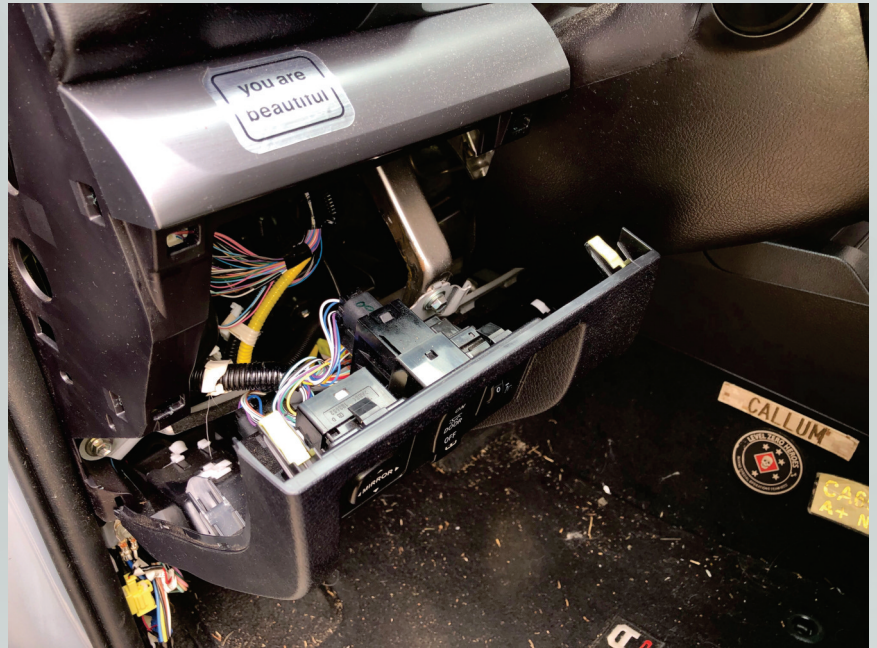


8. Please refer to the aiming standards below when adjusting your lights.



9. Replace trim panels and grille in reverse order

10. If your truck's DRL (Daytime Running Light) is on the turn signal (amber light), we recommend that you replace your factory relay with one that does not have a DRL (Toyota PN 81980-0C020). It is replaced using the below process, and needs only a 10mm socket to do so.



-END-