

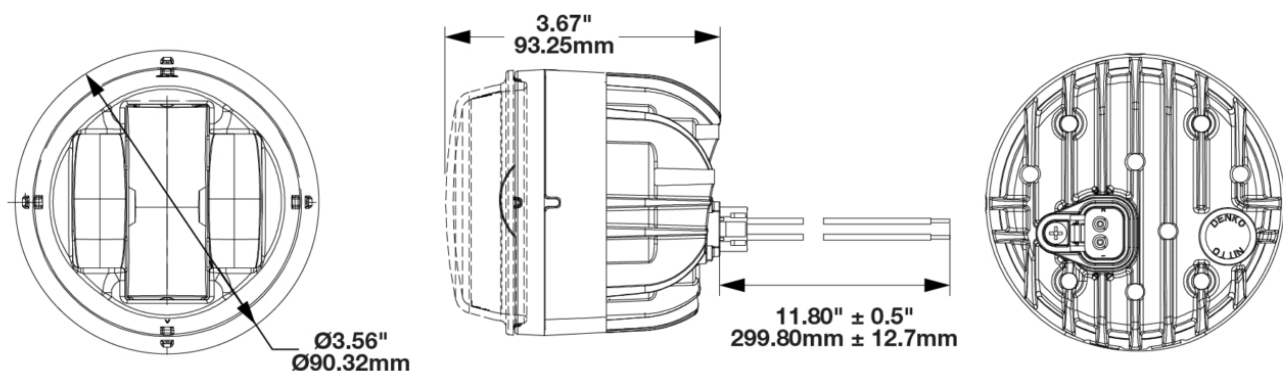
90mm LED Lights - Model 93

PRODUCT INFORMATION

Description	12-24V DOT/ECE LED High Beam Headlight
Height	90.00 mm / 3.54 in
Width	90.00 mm / 3.54 in
Depth	95.00 mm / 3.74 in
Shape	Round
Outer Lens Material	Polycarbonate
Outer Lens Color	Clear
Housing Material	Die-Cast Aluminum
Housing Color	Black
Bezel Color	Black
Minimum Operating Temperature	-40 °C / -40 °F
Maximum Operating Temperature	65 °C / 149 °F
Connector or Wiring	Deutsch DT04-2P
Mating Connector	Deutsch DT06-2S
Product Weight	1.00 lbs / 0.45 kgs
Shipping Weight	1.20 lbs / 0.54 kgs



PRODUCT DIMENSIONS



Print date: 2020-04-24

© 2020 J.W. Speaker Corporation • Germantown, WI U.S.A.
 www.jwspeaker.com • speaker@jwspeaker.com • 262.251.6660

J.W. SPEAKER 
 Engineered. Lighting. Solutions.

90mm LED Lights - Model 93

ELECTRICAL SPECIFICATIONS

Input Voltage	12-24V DC
Operating Voltage	10-31V DC
Transient Spike Protection	150V Peak @ 1 HZ-100 Pulses
Red Wire	Positive
Black Wire	Negative
Current Draw	0.80A @ 12V DC (High Beam) 0.40A @ 24V DC (High Beam)

REGULATORY STANDARDS COMPLIANCE

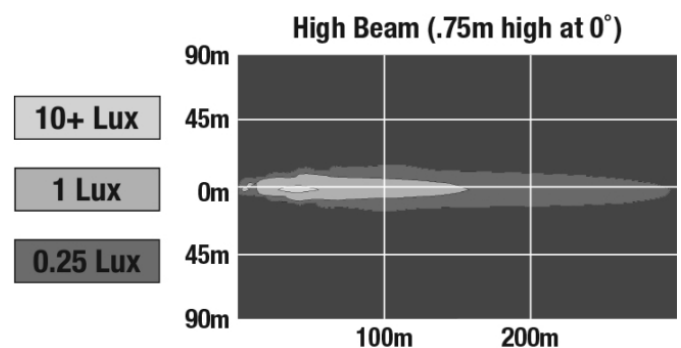


Buy America Standards
Eco Friendly
IEC IP69K

ECE Reg 112
FMVSS 108 s10.1 (Table XVIII)

PHOTOMETRIC SPECIFICATIONS

Raw Lumen Output	630
Effective Lumen Output	230
Candela Output	45,000
Nominal LED Color Temperature	5000 K
Beam Pattern(s)	Forward Lighting - High Beam (DOT/ECE)



Print date: 2020-04-24

© 2020 J.W. Speaker Corporation • Germantown, WI U.S.A.
www.jwspeaker.com • speaker@jwspeaker.com • 262.251.6660

90mm LED Lights - Model 93

APPLICATIONS



PRODUCT WARNINGS

For California residents:

⚠ **WARNING:** Cancer and reproductive harm - www.P65Warnings.ca.gov.

⚠ **AVERTISSEMENT:** Cancer et effet nocif sur la reproduction - www.P65Warnings.ca.gov.

ACCESSORIES



Part Number
8001211

Motorcycle Bar Mount
Kit with Wiring
Harness, Large



Part Number
8001221

Motorcycle Bar Mount
Kit with Wiring
Harness, Small



Part Number
8001461

90mm Light 3-Point
Mount for 1.5mm
Mounting Frame



Part Number
8001471

90mm Light 3-Point
Mount for 3mm
Mounting Frame



Part Number
8001601

Pedestal Mounting
Bracket for Model 93
Single Lamp



Part Number
8001621

Pedestal Mounting
Bracket for Model 93
Double Lamp



Part Number
0700001

Motorcycle Bar Mount
Kit, 20-24mm



Part Number
0700011

Motorcycle Bar Mount
Kit, 25-29mm

Print date: 2020-04-24

© 2020 J.W. Speaker Corporation • Germantown, WI U.S.A.
www.jwspeaker.com • speaker@jwspeaker.com • 262.251.6660

90mm LED Lights - Model 93

RELATED PRODUCTS



Part Number
0347941
12-24V SAE/ECE LED
Turn Signal with DRL
Function



Part Number
0553081
12-24V DOT/ECE Reg
113 LED Symmetrical
Low Beam Headlight



Part Number
0553091
12-24V DOT/ECE Reg
112 LHT LED Low
Beam Headlight



Part Number
0553101
12-24V DOT/ECE Reg
112 RHT LED Low
Beam Headlight



Part Number
0554381
12-24V DOT/ECE LED
High Beam Headlight
with Front Position



Part Number
0556701
12-24V SAE/ECE LED
Fog Light